

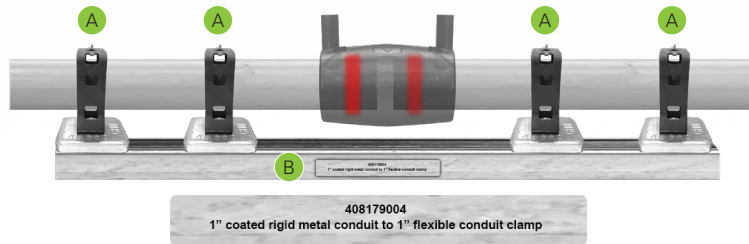
CABLE TIGHT™ WELDING CLAMPS

Franklin Fueling Systems now provides welding clamps specific to the Cable Tight™ wire management system. The clamps help make sure that conduit and fittings are held firmly in place during a weld. Use the guide below to help identify the appropriate clamp for your specific weld-type.

⚠ WARNING: If you do not use proper Cable Tight™ welding clamps, improper welds can result, and the watertight integrity of the system can be compromised.

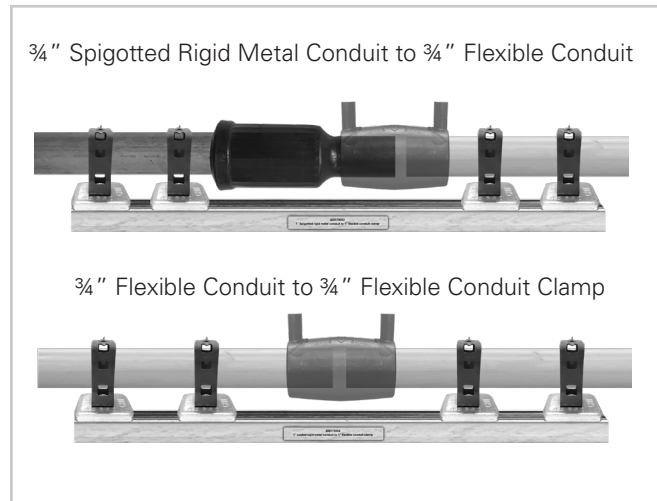
Welding Clamps

- A. 4 clips hold the conduit in place.
- B. The nameplate indicates the conduit size (1" or 3/4") and type of conduit (spigotted rigid metal, coated rigid metal, or flexible).

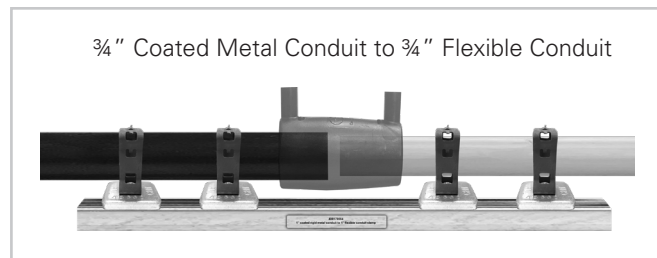


3/4" Clamp Part Number: 408179001

Dual-purpose clamp handles both applications.

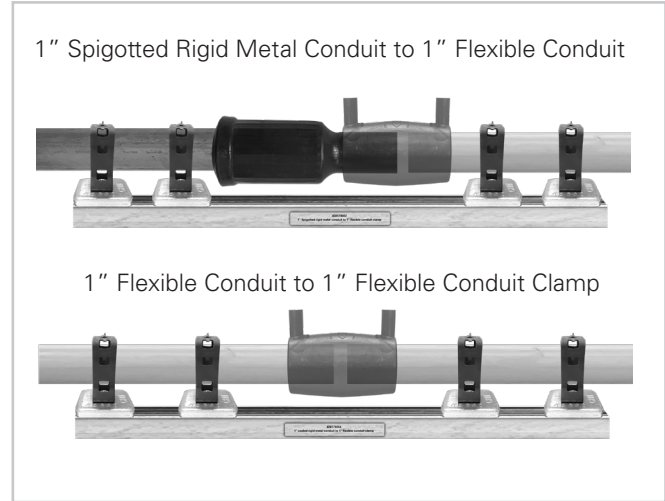


3/4" Clamp Part Number: 408179003



1" Clamp Part Number: 408179002

Dual-purpose clamp handles both applications.



1" Clamp Part Number: 408179004

