

Connecting a T5 Series FMS to a Gilbarco Passport

Overview

This document explains how to connect a T5 Series Fuel Management System to a Gilbarco Passport for the purpose of collecting dispensing data. The data is collected by the T5 Series Fuel Management System, consolidated, and used to produce inventory reconciliation reports.

The T5 Series Fuel Management System must contain the following equipment to facilitate the collecting of dispensing data:

- TS-DIMIB-Internal dispenser interface module
- TS-TRAC-Tank inventory reconciliation and autocalibration software
- TSP-GSDCBL-Gilbarco GSite cable kit, which contains:
 - (1) 600-0205 Gilbarco G-SITE Cable
 - (1) 601-1002 RJ45 to DB9 Adapter
 - (1) 601-1005 Passport Serial Adapter

Passport Site Installation notes

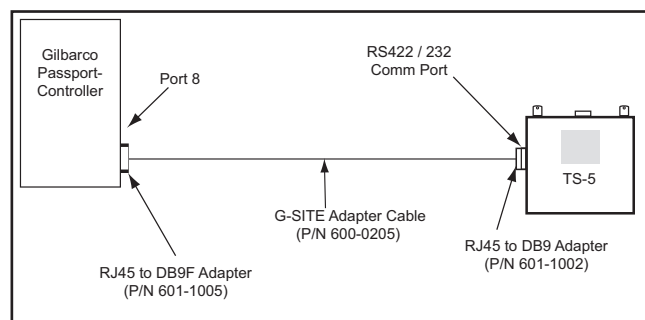


Figure 1: Connecting to Gilbarco Passport Site

1. Using TSP-GSDCBL connect the 600-1002 adaptor to the 422/232 port on the EMS/550/5000.
2. Connect the 600-1005 to the end of the dongle cable Gilbarco Part # M09747B010
3. Connect the dongle cable to Port on Dispenser Security Hub (port 5) if available
4. Setup EMS DIM 1 to G site and RS232/Duplex
5. Be sure Port on Security hub is set to EMC and Baud 1200, 7, E, 1
6. Query Dispensers.

See DIMIB Installation and Programming Manual 000-2048 for more information.