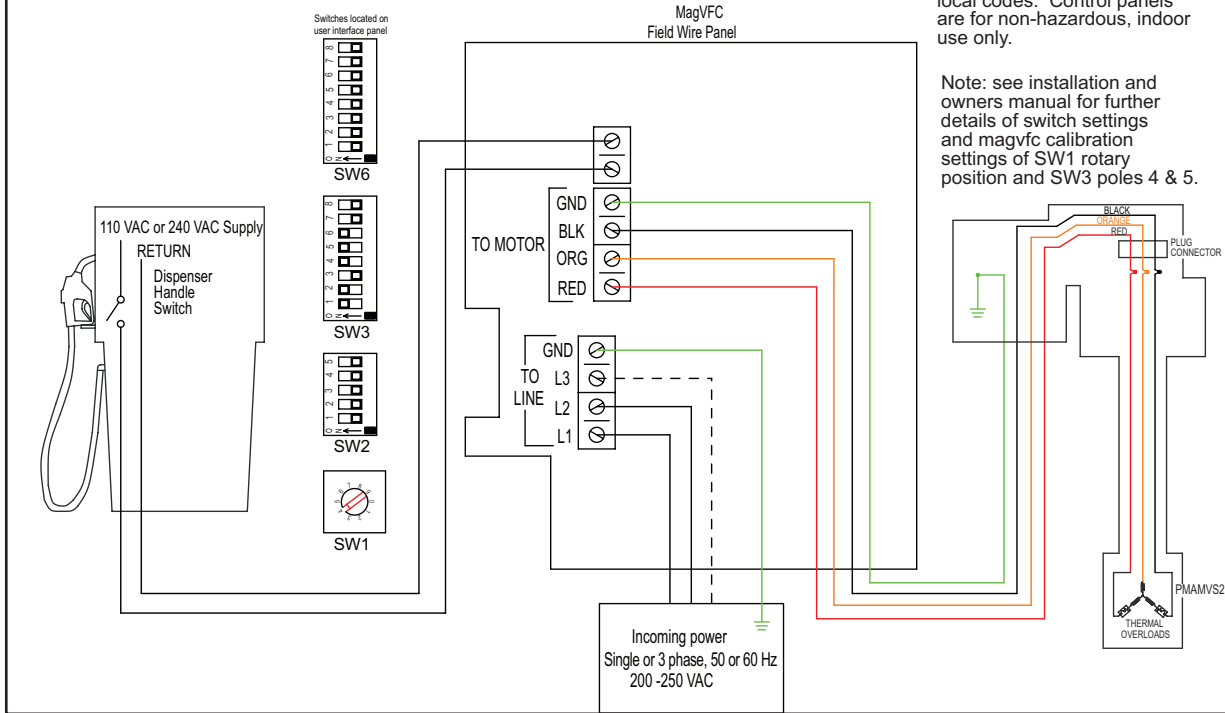


Wire Diagram for Magvfc with PMAVS2

Stand Alone

Note: see product installation instructions for further details. Wiring must conform to all federal, state, and local codes. Control panels are for non-hazardous, indoor use only.

Note: see installation and owners manual for further details of switch settings and magvfc calibration settings of SW1 rotary position and SW3 poles 4 & 5.



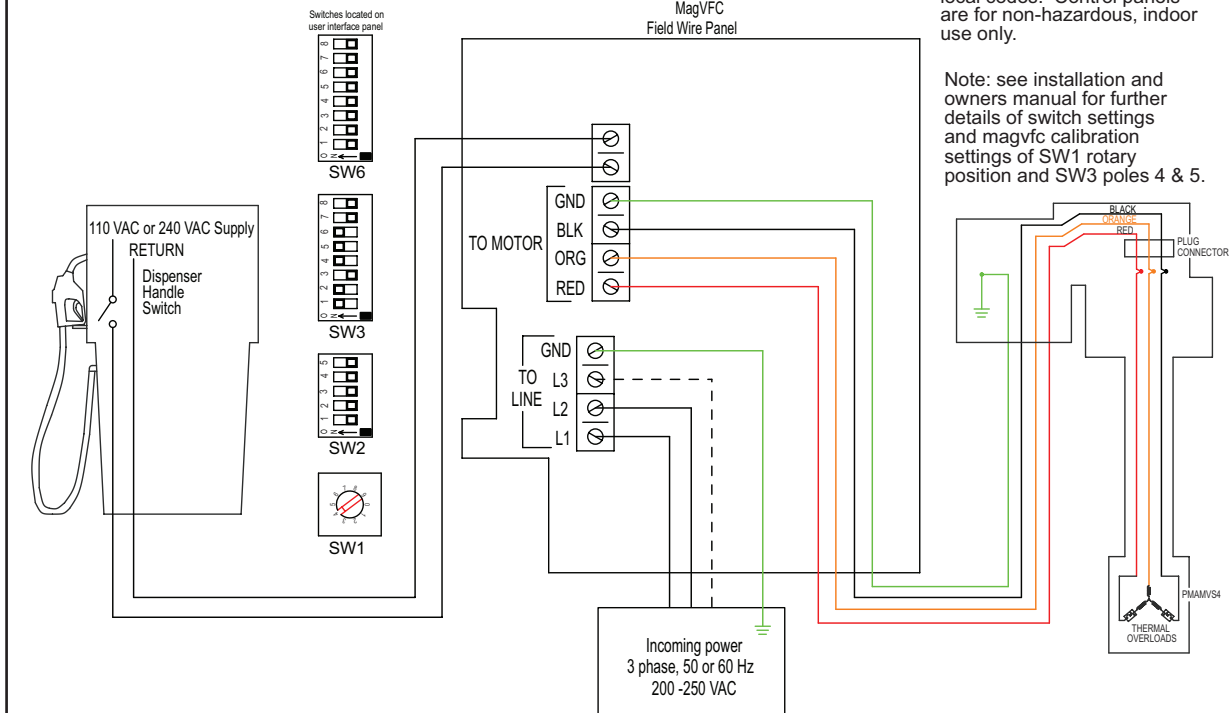
Stand Alone configuration of MagVFC with 2 horsepower variable speed (VS2)

Wire Diagram for MagVFC with PMAVS4

Stand Alone

Note: see product installation instructions for further details. Wiring must conform to all federal, state, and local codes. Control panels are for non-hazardous, indoor use only.

Note: see installation and owners manual for further details of switch settings and magvfc calibration settings of SW1 rotary position and SW3 poles 4 & 5.



Stand Alone configuration of MagVFC with 4 horsepower variable speed (VS4)