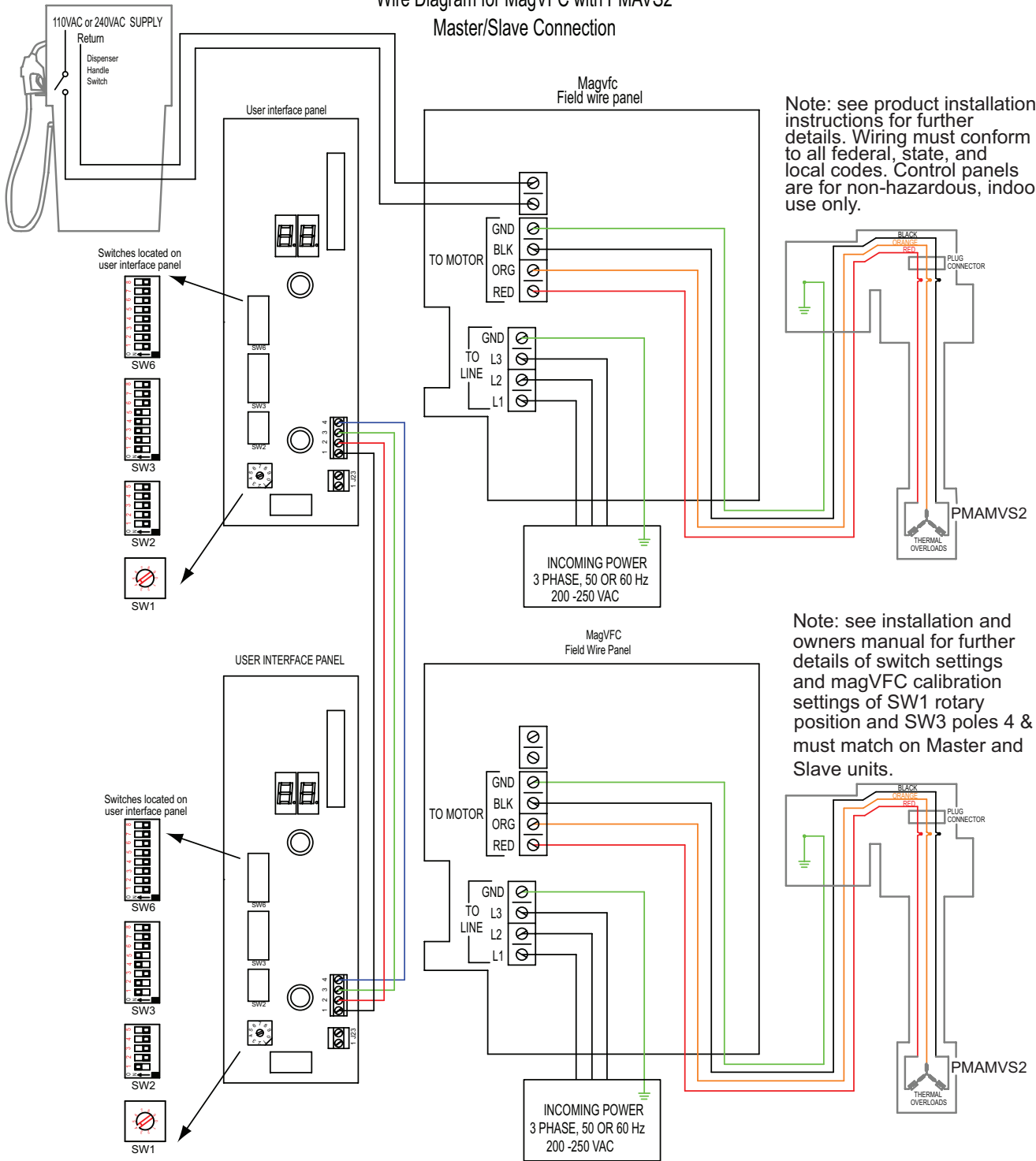


Wire Diagram for MagVFC with PMAVS2 Master/Slave Connection



Master/Slave configuration of MagVFC with 2 horsepower variable speed (VS2)
(for connecting with VS4 pumps, turn SW3 Pole 6 ON for controller connected)