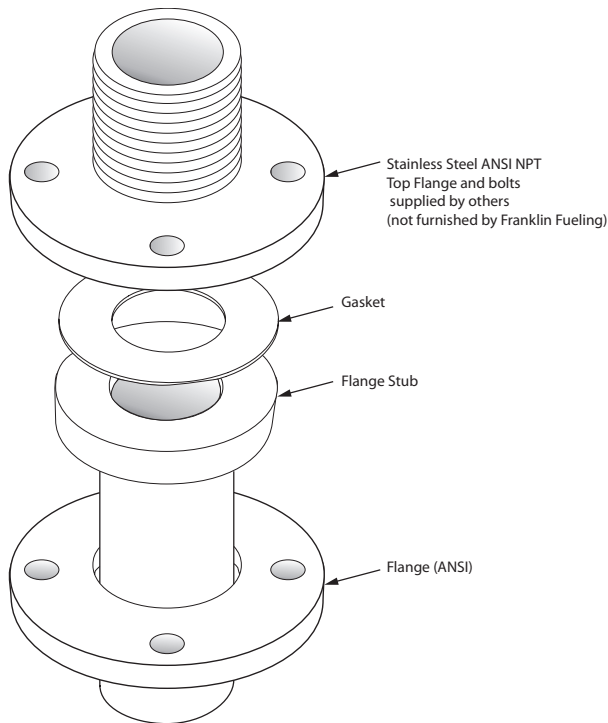
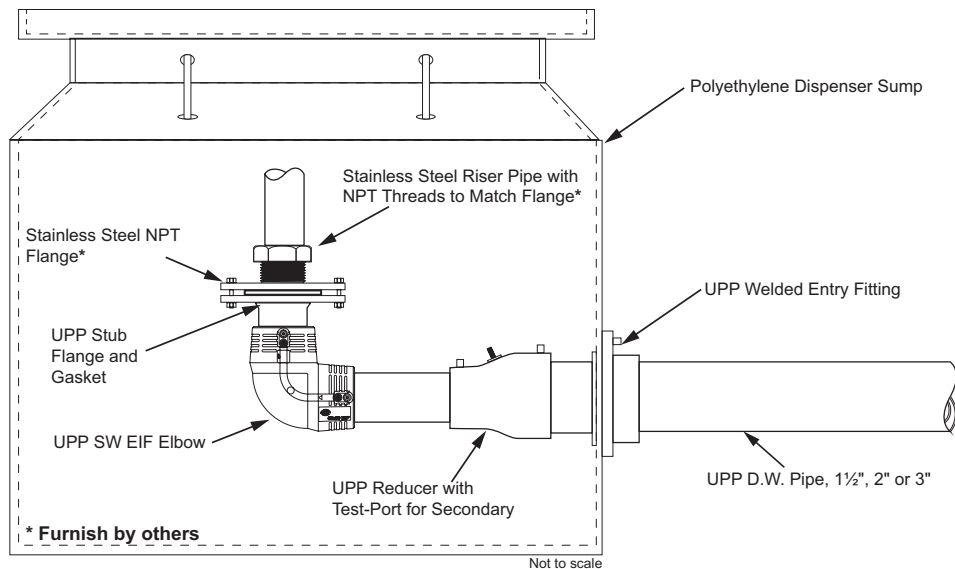


TECHNICAL BULLETIN

October 5, 2012 • TB0912-03
Rev May 22, 2013

Terminating UPP Pipe Runs when using Diesel Exhaust Fluid (DEF)

The illustration below shows one recommended way to terminate a pipe run with UPP Double Wall Piping when the product is DEF.



Flange Assembly Detail

Description	Part Number
Flanged Stubs	
1 1/2" Stub	05-050-L
2" Stub	05-063-L
3" Stub	05-090-L
Flanges (ANSI Flange Standard)	
1 1/2" Flange	06-050-A
2" Flange	06-063-A
3" Flange	06-090-A
Stub Flange Gaskets	
1 1/2"	07.50
2"	07.63
3"	07.90

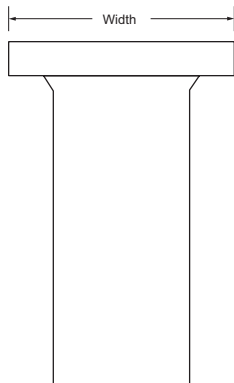
See second page for dimensions

Franklin Fueling Systems • 3760 Marsh Rd. • Madison, WI 53718 USA

Tel: +1 608 838 8786 • 800 225 9787 • Fax: +1 608 838 6433 • www.franklinfueling.com

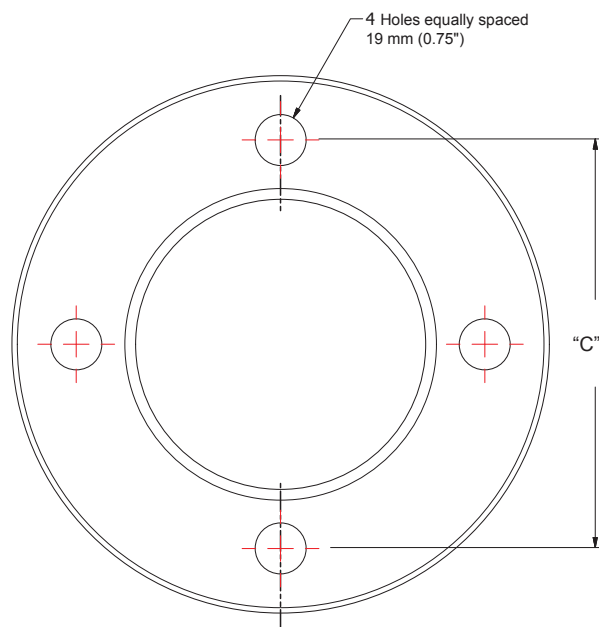
TECHNICAL BULLETIN

October 5, 2012 • TB0912-03
Rev May 22, 2013



Flange Stub Width

Flange	Dimension
1½" Stub Flange	88 mm / 3.5"
2" Stub Flange	102 mm / 4.0"
3" Stub Flange	138 mm / 5.4"



Flange Dimensions

Flange	Bolt Circle "C"
1½" Stub Flange	98 mm / 3.6"
2" Stub Flange	121 mm / 4.8"
3" Stub Flange*	152 mm / 6.0"