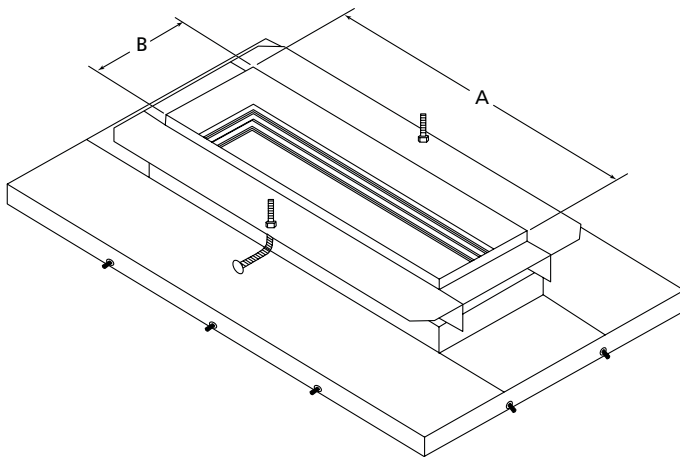




Single & Double Wall Fiberglass Dispenser Sumps

Designed for the installer, the large mouth series dispenser sumps provide easy access to piping connections. The dispenser frame and top are factory assembled and field glassed onto the sump after piping connections are completed. Stabilizer Bar Kits, (SBK) for mounting emergency shear valves, are track mount design and adjust in all planes for proper alignment of the shear valve to the dispenser piping.

Note: Consult Customer Service to verify lead time on all double wall dispenser sumps.



LMT DISPENSER FRAME

Model Number Reference Chart

XXX-XXXX-XX
1 2a 2b 3

- 1) Sump Style & Depth
LMM = Large mouth medium bury
- 2) Dispenser Frame Size
2a = "A" length
2b = "B" length
- 3) Single or Double Wall
SW = Single wall
DW = Double wall

Design Highlights & Advantages

- Powder coated steel frame.
- Dispenser frame factory assembled and watertight sealed.
- Water dam frame design prevents surface water from entering sump.
- Strong three-layer hand layup FRP.
- Ease of ordering. Sumps include dispenser frames, mounting hardware and matte resing kit for sealing to the sump.
- Stackable for reduced freight and storage space (single wall only).
- Double wall sumps are available for hydrostatic (brine) or vacuum monitoring and are shipped under vacuum with factory installed vacuum gauge.

Note: Two week lead time on all fiberglass parts.



Single Wall Large Mouth Fiberglass Dispenser Sumps

MODEL	DIM. "A"	DIM. "B"	DIM. "C"	SBK #
LMM-2407-S-R	23.75"	7.50"	36"	SBK-1
LMM-3617-C-S-R	36.00"	17.25"	36"	SBK-3
LMM-3914-S-R	38.75"	14.00"	52"	SBK-25

Models shown include:

- Base
- Top frame
- Matte/Resin kit

Stabilizer Bar Kits (SBK) must be ordered separately.



Double Wall Large Mouth Fiberglass Dispenser Sumps

MODEL	DIM. "A"	DIM. "B"	DIM. "C"	SBK #
LMM-2407-D-R	23.75"	7.50"	36"	SBK-1
LMM-3617-C-D-R	36.00"	17.25"	36"	SBK-3
LMM-3914-D-R	38.75"	14.00"	52"	SBK-25

Models shown include:

- Base
- Top frame
- Matte/Resin kit

Stabilizer Bar Kits (SBK) must be ordered separately.