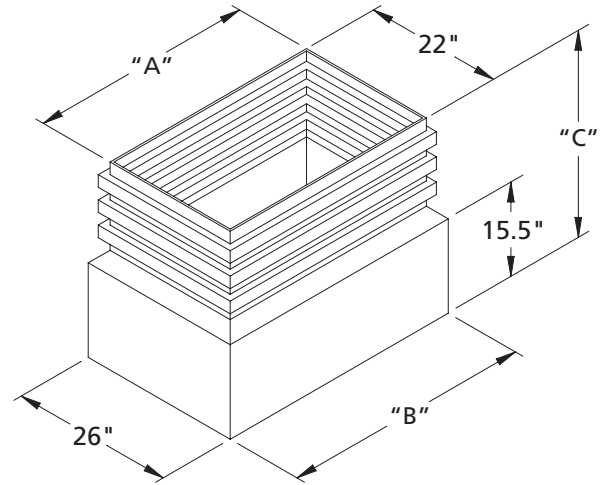


Large Mouth Polyethylene Dispenser Sumps



Dispenser Sump Base List - Polyethylene

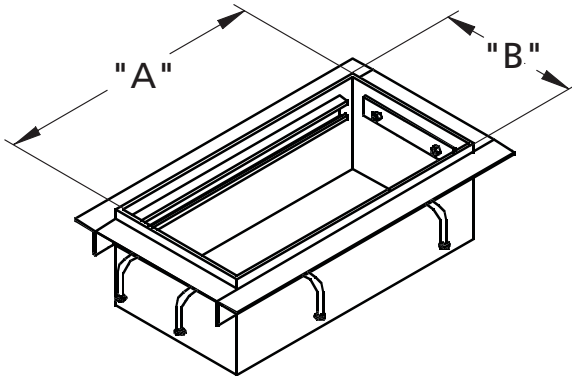
MODEL	DIM. "A"	DIM. "B"	DIM. "C"
LBM-2400	24"	28"	28"
LBM-3600	36"	40"	28"
LBM-4800	48"	52"	28"
LBD-2400	24"	28"	43"
LBD-3600	36"	40"	43"
LBD-4800	48"	52"	43"



Classic Series Dispenser Pans



Dispenser Pans (DP models) are an extremely cost effective alternative where shallow burial is permitted. Each model of dispenser pan is furnished with concrete anchor bolts and utilized galvanized steel top frames for anchoring the dispenser.



MODEL	DESCRIPTION	DIM. "A"	DIM. "B"	BAR KIT*
DP-1816	Dispenser Pan 13 3/4" x 11 1/4"	13 3/4"	11 1/4"	SBK-2
DP-2014	Dispenser Pan 16 1/2" x 10 1/2"	16 1/2"	10 1/2"	SBK-2
DP-2816	Dispenser Pan 23" x 11 3/4"	23"	11 3/4"	SBK-2
DP-4721	Dispenser Pan 42" x 16"	42"	16"	SBK-3