

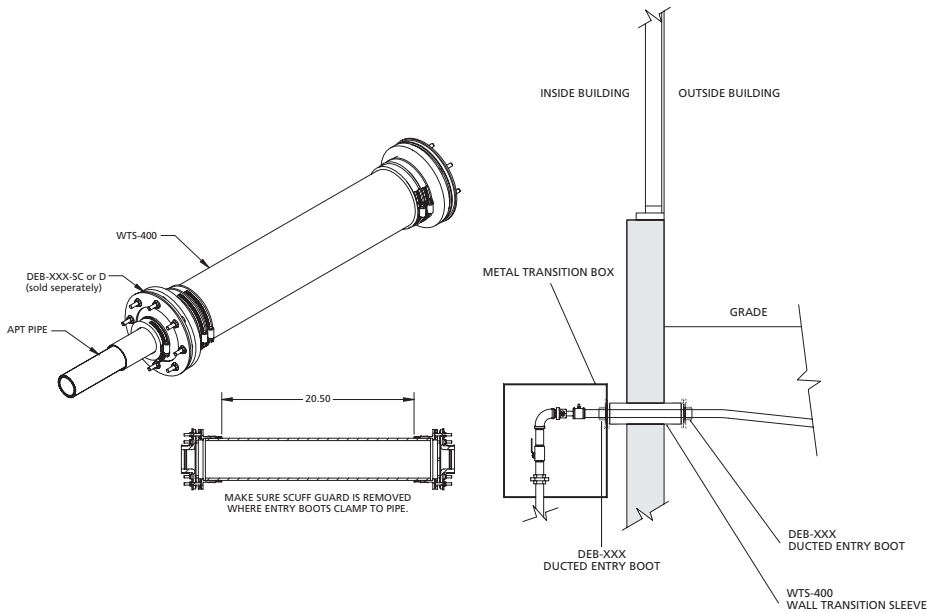


## Below Grade Wall Transition Sleeve

The Wall Transition Sleeve is a practical, environmentally sound solution for below ground generator or boiler applications that pass through the wall of buildings or concrete structures. Piping enters the sleeve through APT's special flexible Entry Boots. The wall transition sleeve is an economical alternative that allows a straightforward installation with no tools.

### Design Highlights & Advantages

- Transition sleeve used for through-wall installation ground.
- Low cost alternative.
- Designed to utilize APT's ducted entry and single entry flexible boots.
- The Transition Sleeve can accommodate both ¾" and 1" or combination of both in one run for fill/feed generator applications.
- 1 ½" thru 2".



MODEL	DESCRIPTION
WTS-400	Wall Transition Sleeve, (Ducted Entry Boot REQUIRED, sold separately)