



Clamshell Non-Swivel Pipe Fittings

APT non-swivel pipe fittings provide the same high quality and environmental security as the APT swivel fittings, at a more economical price. APT nipple fittings are manufactured from one-piece solid brass and utilize the same ductile iron clamps as our swivel fittings.



Design Highlights & Advantages

- No special tools required for fitting installation.
- Connection threads are compatible with standard NPT pipe threads.
- Nipple fittings utilize APT proven ductile iron pipe clamps.
- The solid brass, one-piece design with NPT connectors offers fewer potential leak points.
- APT provides all sealants, clamps, bolts and installation instructions with every fitting.
- All APT male non-swivel pipe fittings are UL listed under file MH 17457 and ULC listed under file CMH 1613.

MODEL	DESCRIPTION
MN-075-075	Male Nipple installs on the end of ¾" single/secondary contained pipe with 0.75" NPT
MN-100-100	Male Nipple installs on the end of 1" single/secondary contained pipe with 1.00" NPT
MN-150-150	Male Nipple installs on the end of 1 ½" single/secondary contained pipe with 1.50" NPT
MN-175-150	Male Nipple installs on the end of 1 ¾" single/secondary contained pipe with 1.50" NPT
MN-200-150	Male Nipple installs on the end of 2" single/secondary contained pipe with 1.50" NPT
MN-175-200	Male Nipple installs on the end of 1 ¾" single/secondary contained pipe with 2.00" NPT
MN-200-200	Male Nipple installs on the end of 2" single/secondary contained pipe with 2.00" NPT
MN-250-250	Male Nipple installs on the end of 2 ½" single/secondary contained pipe with 2.50" NPT
MN-250-300	Male Nipple installs on the end of 2 ½" single/secondary contained pipe with 3.00" NPT

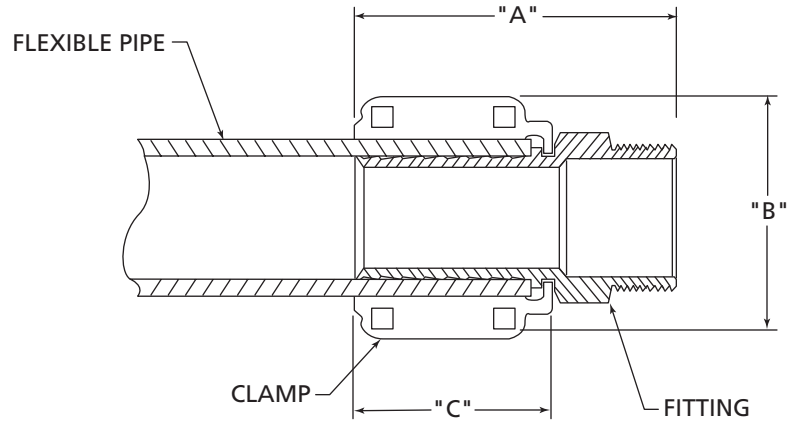
P-Series fitting to be used only for P-Series pipe.



Clamshell Non-Swivel Pipe Fittings



MODEL	DIM. "A"	DIM. "B"	DIM. "C"
MN-075-075	2.493"	2.320"	1.400"
MN-100-100	2.977"	2.570"	1.400"
MN-150-150	4.313"	3.134"	2.115"
MN-150-150-B	4.313"	3.134"	2.115"
MN-175-150	4.313"	3.400"	2.115"
MN-175-150-B	4.313"	3.400"	2.115"
MN-200-150	5.313"	3.900"	3.218"
MN-200-150-B	5.313"	3.900"	3.218"
MN-150-200	4.250"	3.134"	2.115"
MN-150-200-B	4.250"	3.134"	2.115"
MN-175-200	4.250"	3.400"	2.115"
MN-175-200-B	4.250"	3.400"	2.115"
MN-200-200	5.250"	3.900"	3.218"
MN-200-200-B	5.250"	3.900"	3.218"
MN-250-250	4.850"	5.140"	2.200"
MN-250-250-B	4.850"	5.140"	2.200"
MN-250-300	4.850"	5.140"	2.200"
MN-250-300-B	4.850"	5.140"	2.200"



P-Series fitting to be used only for P-Series pipe.